
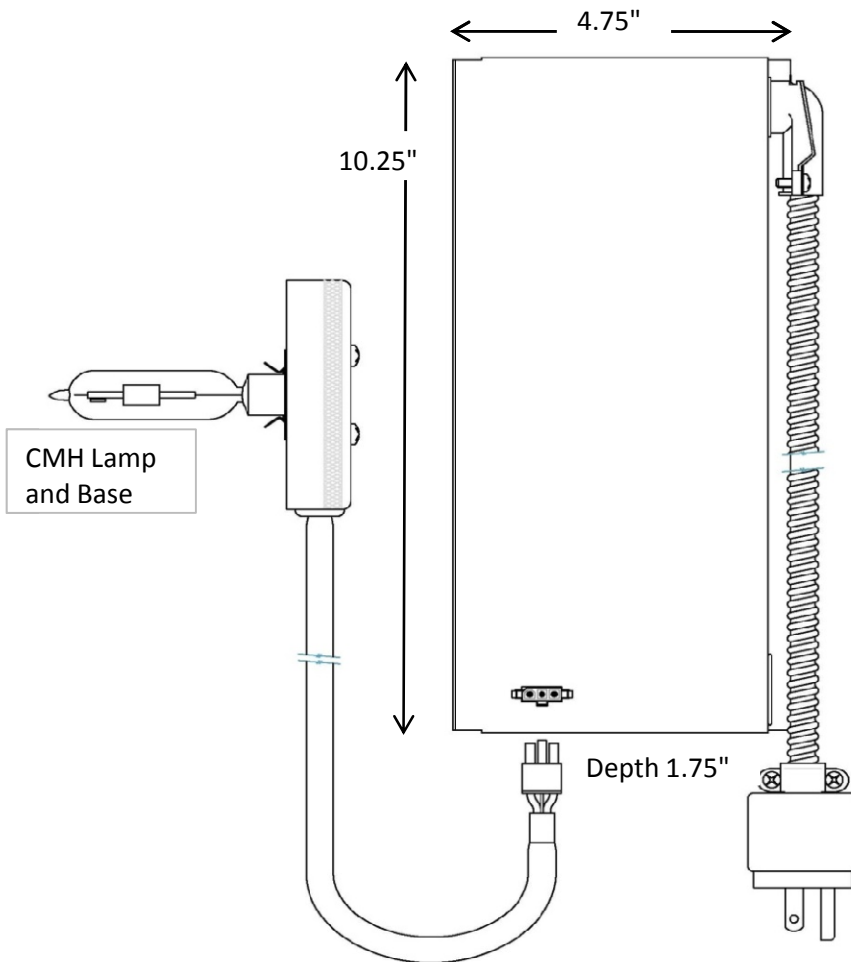


ML-RK-39

includes
Enclosure, 39W Non Dimmable Ballast, 39W CMH Lamp and Lamp Base.

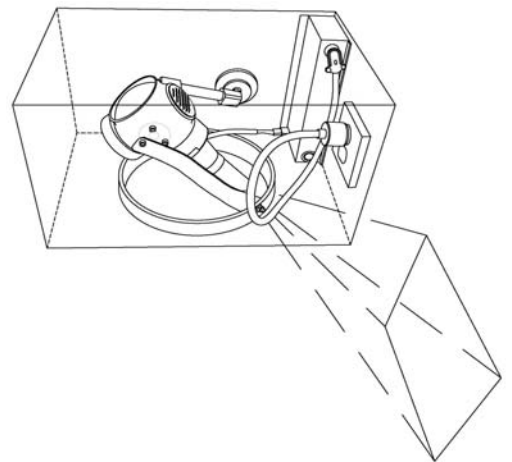
Projector Specifications

Description	Merlin Light® Retro Kit to convert Halogen to CMH lamping. Patent Pending
	
Catalog #	ML-RK-39
Rating	Install inside existing
UL 1598	Merlin Light® Housing
Enclosure	20 Gage, powder coated, steel. Installed by qualified electrician Orient ballast toward art.
Lamp and Ballast	39 Watt, G12 lamp base, 3000K Ceramic Metal Halide Lamp, and 39W 120VAC Electronic Ballast.
L4	
See wiring detail sheet	Time delay on hot restart. Non dimming.
Mounting	Screws through flanges, see instructions.



Comparison points; 39W CMH versus Halogen

Properties	CMH 39 watt	Halogen 150 watt
1. External housing temperature	87 deg	145 deg
2. Projector body temperature	103 deg	410 deg
3. Approximate lumens	3,400	2,800
4. Average rated life	10,000 hrs.	2,000 hrs.
5. CRI	82	100
6. K = Color temperature	3000K	2950K
7. Start time	3 min to 90%	Instant
8. Restart time	15 min. cool down	Instant
9. IC/AT Housing	Yes	No
10. Dimmable	No	Yes 100%
11. Input voltage	120/277VAC	120VAC



6415 N. Business Park Loop Rd. Ste K
Park City, Utah 84098
Phone: (435) 602-5801
www.merlinlights.com

*Copyright Protected, GlennCo Inc. 2025

